

### Features

- Humidifying or dehumidifying in HVAC system, selectable via terminal wiring on pcb
- Setting range 25 to 95% r.H.
- Set point
  - Exposed set point for HRS 1ES
  - Concealed set point for HRS 1CS
- Power supply 24 - 230 Vac

### Technical data

<b>Power supply</b>	24 - 230 Vac >24 V in dry rooms only according to VDE 0110
<b>Setting range</b>	25 to 95% r.H.
<b>Switching capacity</b>	dehumidifying, 5 (0.2) A min. 100 mA humidifying, 3 (0.2) A, min. 100 mA
<b>Contact</b>	1 changeover contact, (potential free)
<b>Sensing element</b>	plastic fibres
<b>Operating difference</b>	approx. 4% r.H.
<b>Tolerance</b>	max. 3% r.H.
<b>Enclosure temperature</b>	0°C to +40°C
<b>Enclosure</b>	plastic, material ABS colour pure white (similar RAL 9010)
<b>Housing dms</b>	98x106x34 mm
<b>Electrical connection</b>	0.14 to 2.5mm <sup>2</sup> , via terminal screw on plate
<b>Protection class</b>	II (according to EN 60730)
<b>Protection type</b>	IP30 (according to IEC 529)
<b>Standards</b>	CE conformity EMV directive 89/336/EWG Low-voltage directive 73/23/EWG

### Application/Description

Mechanical room hygrostat with switching output (with single-pole microswitch as two-position controller with humidity sensor) working without external voltage, with humidity measuring element made of stabilized synthetic gauze, optional with setpoint setter for switchpoint adjustment (external or internal setting) in an elegant enclosure made of plastic, with snap-on lid, base with 4-hole attachment for installation on vertically or horizontally installed in-wall flush boxes, with predetermined breaking point for on-wall cable entry.

HRS is used for controlling and monitoring the relative humidity in office and residential rooms, baths, labs, control cabinets, computer rooms, etc., as minimum or maximum hygrostat. It is applied in dust-free, pollutantfree.

### Ordering

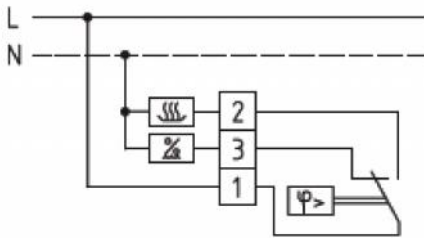
Type no.	Description
<b>HRS 1ES</b>	Room hygrostat, 1 step, exposed set point
<b>HRS 1CS</b>	Room hygrostat, 1 step, concealed set point

**Function**

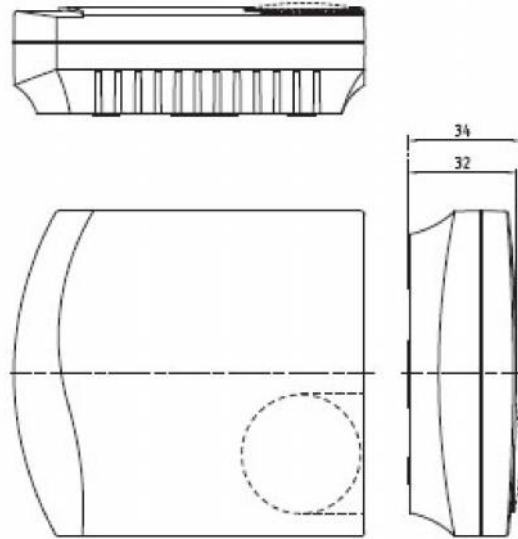
Humidifying: connect terminal 1 and 3

Dehumidifying: connect terminal 1 and 2

**Connection diagram**

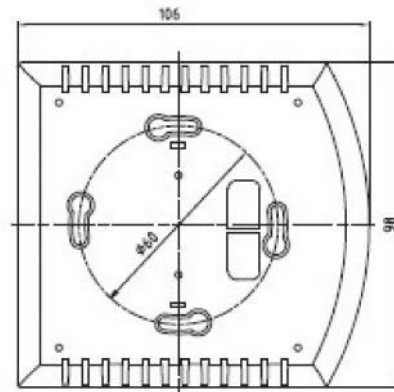
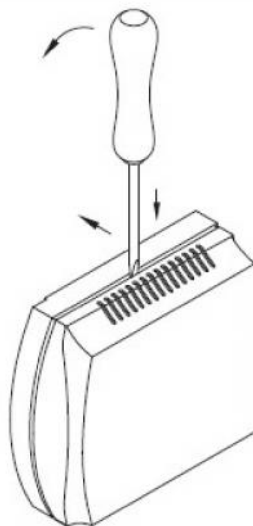


**Dimensions (mm)**

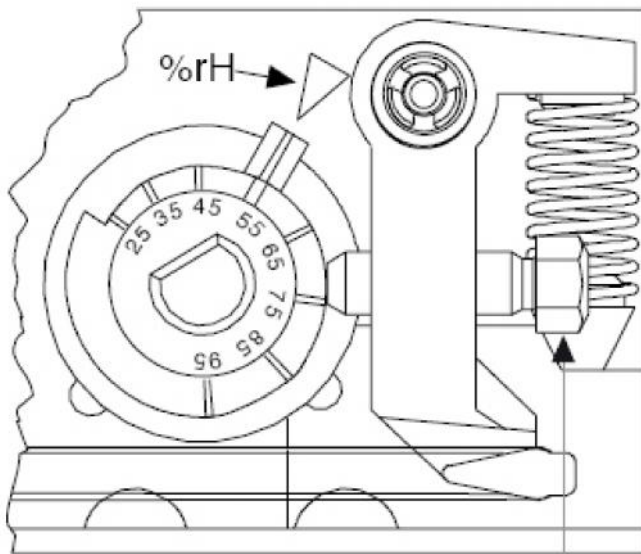


**To open the enclosure**

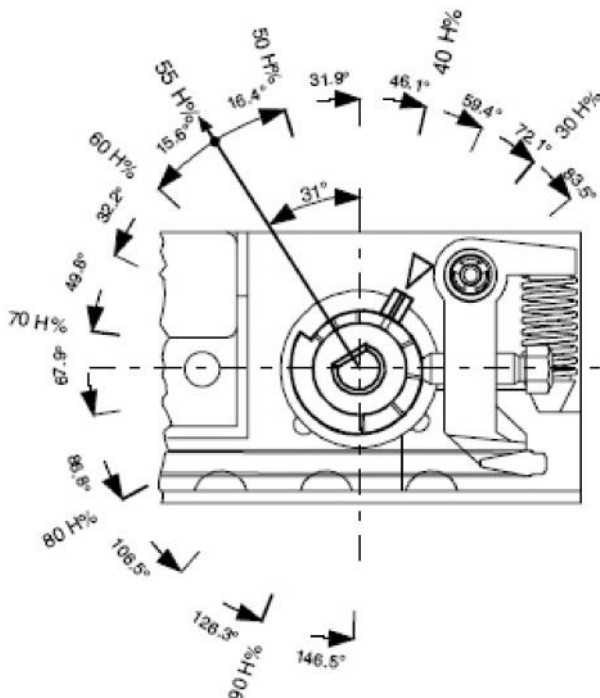
Set a screwdriver (2.0) the groove at centre, press down, and lift up the bottom frame slightly. Pull top cover forward and hold it.



**Setting humidity**



Calibrating screw  
(varnish-locked)



We reserve the right to make changes in our products without any notice which may effect the accuracy of the information contained in this leaflet.